

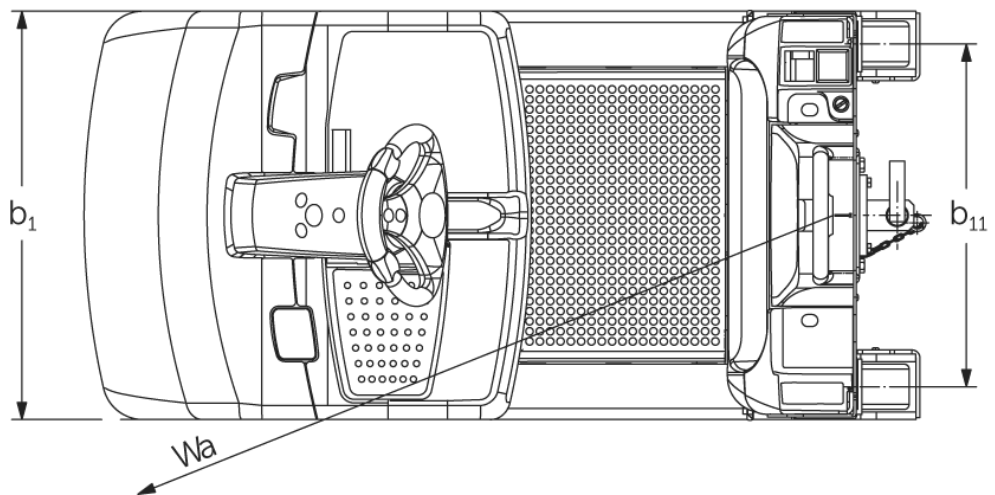
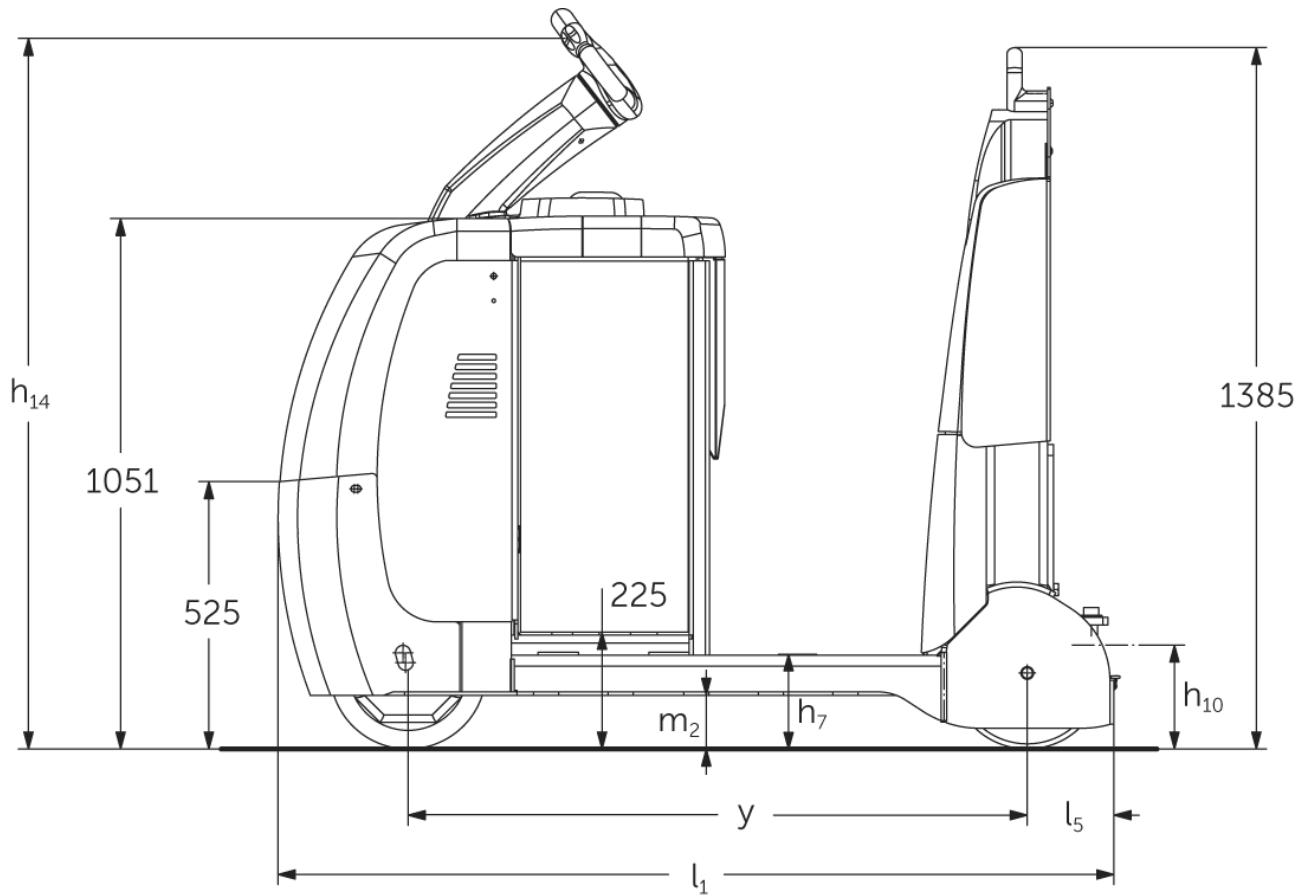


Electric tow tractor

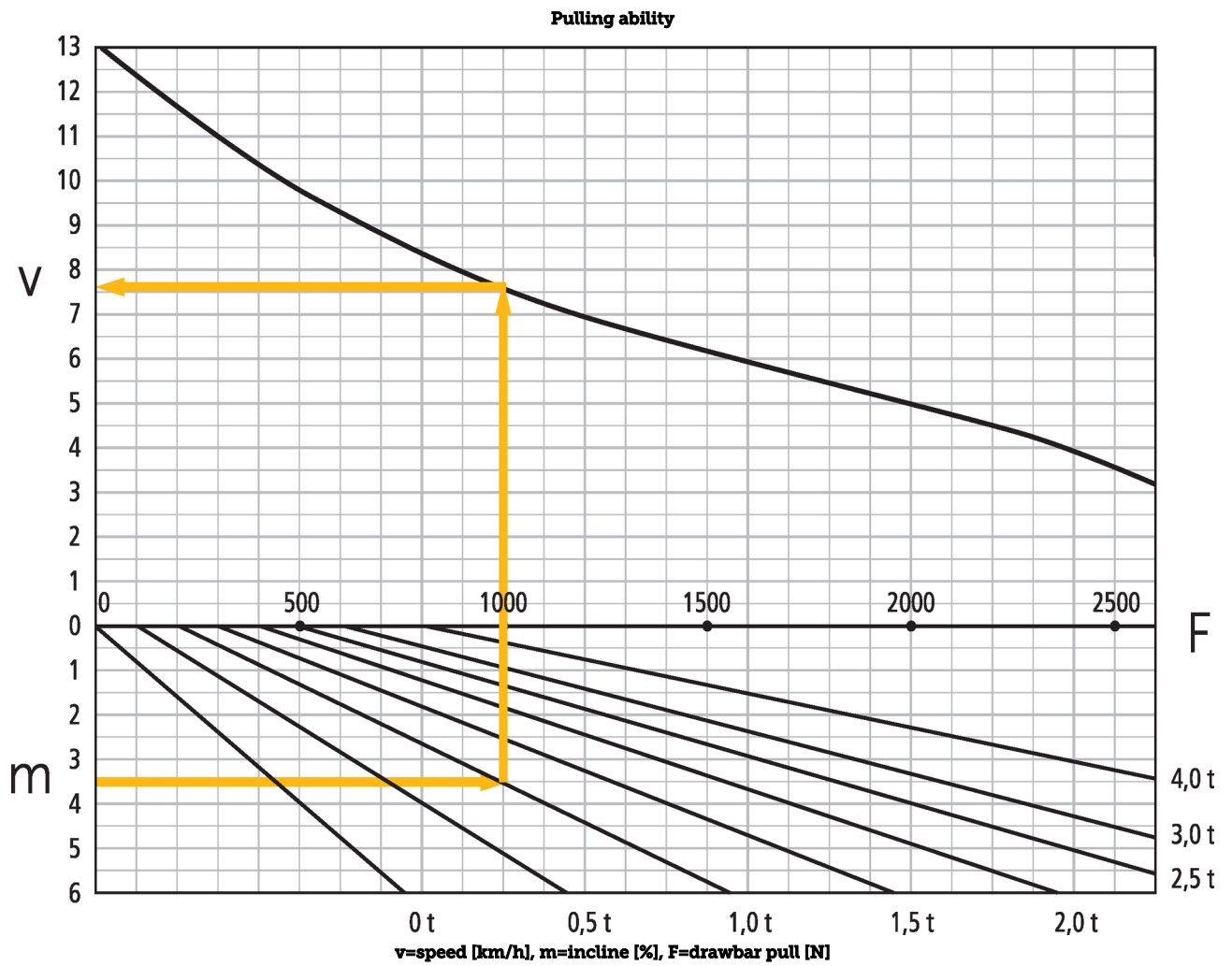
EZS C40

Towing capacity: 4000 kg

EZS C40



EZS C40



VDI table

Stand-on: 11/2021

Characteristic	1.1	Manufacturer (abbreviated description)		Jungheinrich	
	1.2	Manufacturer's type designation		EZS C40	
	1.3	Drive		Electric	
	1.4	Operation		Stand-on	
	1.5.3	Towing capacity	Q	kg	4000
	1.7	Rated drawbar pull		N	800
	1.9	Wheelbase	y	mm	1229
Weights	2.1.1	Service weight (incl. battery)		kg	1185
	2.3	Axle load unladen front/rear		kg	660 / 525
Wheels/suspension system	3.1	Tyres			Super-elastic (SE)
	3.2	Tyre size, front			Ø 310 x 105
	3.3	Tyre size, rear			Ø 301 x 85
	3.5	Wheels, number front/back (x=driven)			1x / 2
	3.7	Tread width, rear	b ₁₁	mm	680
Basic dimensions	4.8	Seat height/stand height	h ₇	mm	182
	4.12	Coupling height	h ₁₀	mm	158
	4.19	Overall length	l ₁	mm	1659
	4.21.1	Overall width	b ₁	mm	810
	4.32	Ground clearance centre of wheelbase	m ₂	mm	100
	4.35	Turning radius	W _a	mm	1487
Performance data	5.1	Travel speed laden/unladen		km/h	8 / 12.5
	5.1.1	Reverse travel speed with/without load		km/h	6 / 6
	5.5	Drawbar pull laden/unladen		N	800 / 800
	5.6	Max. drawbar pull laden/unladen		N	2600 / 2600
	5.10	Service brake			generative
E-motor/ Electronics	6.1	Drive motor, performance S2 60 min		kW	2.8
	6.4	Battery voltage/nominal capacity		V / Ah	24 / 620
	6.5	Battery weight		kg	470
	6.6.1	Energy consumption according to EN cycle		kWh/h	1.13
	6.6.2	CO2 equivalent as per EN 16796		kg/h	0.6
Other	8.1	Type of drive control			AC speedCONTROL
	10.5	Steering version			Electric steering
	10.7	Sound level as per EN12053, operator's ear		dB (A)	66

- This data sheet according to VDI guideline 2198 only states the technical values of the standard truck. Different tyres, other masts, additional equipment etc. may result in different values.

- 4.9: Height of jetPILOT
- 4.12: With single plug-in coupling. Other coupling heights are possible
- 4.19: Overall length including single plug-in coupling, as different coupling systems are available
- 5.1: See diagram
- 5.5: Rated drawbar pull
- 5.6: See diagram

The German production facilities in
Norderstedt, Moosburg and Landsberg
are certified.

ISO 9001
ISO 14001

Jungheinrich fork lift trucks meet
European safety requirements.



 **JUNGHEINRICH**

The Jungheinrich logo, featuring a red upward-pointing arrow above the word 'JUNGHEINRICH' in a bold, black, sans-serif font.