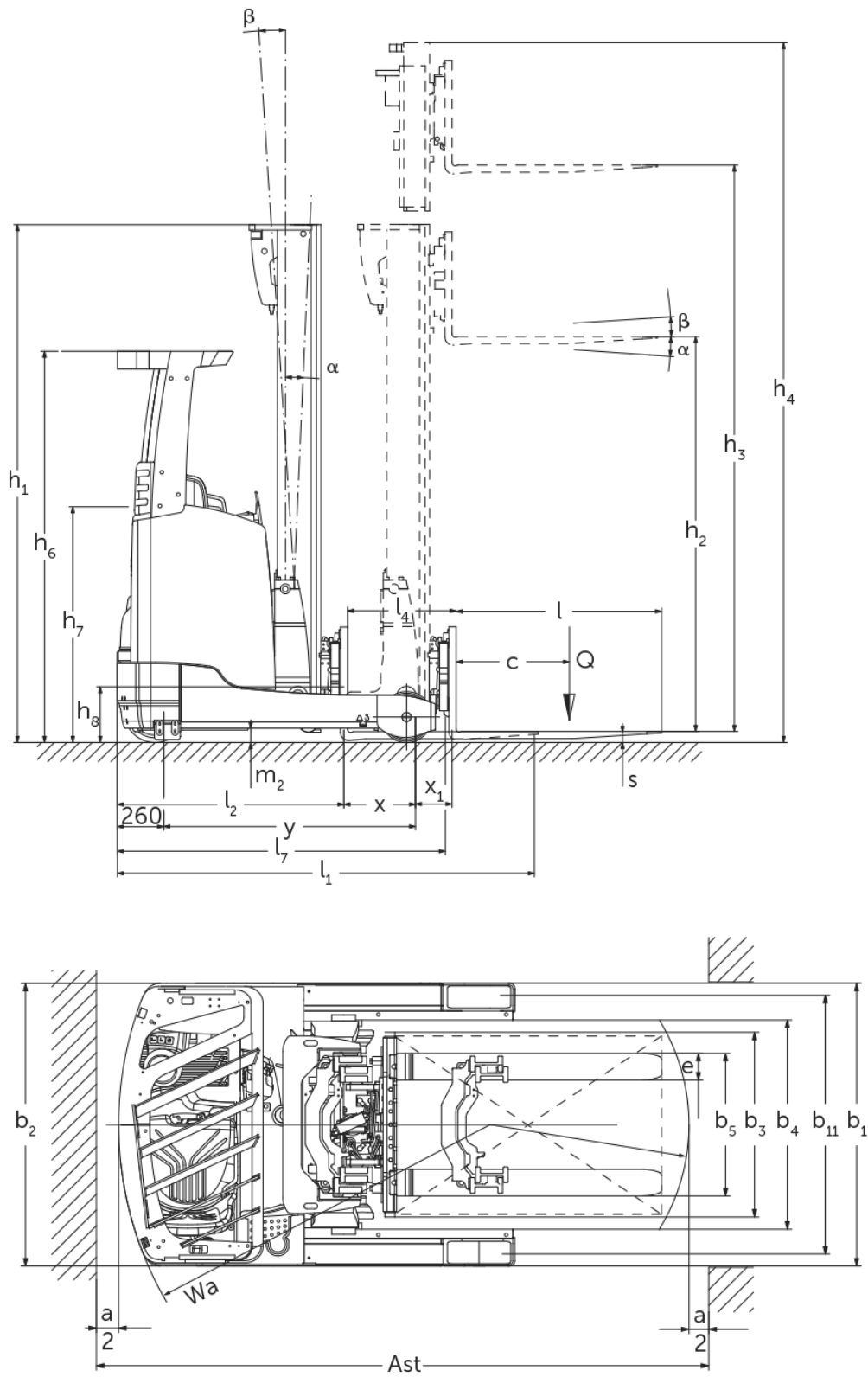




Electric reach truck **ETM/ETV 318-325**

Lift height: 4250-14000 mm / Load capacity: 1800-2500 kg

ETM/ETV 318-325



ETM/ETV 318-325

| ETV 318, ETV 320, ETM 325, ETV 325 | Lift (h3) | Retracted mast height (h1) | Free lift (h2) | Extended mast height (h4) | Forward/backward tilt of mast | Forward/backward tilt of fork carriage |
|---|-----------|----------------------------|----------------|---------------------------|-------------------------------|--|
| Fork tilt / Triplex mast DZ / cold-formed | 6200 mm | 2700 mm | 1970 mm | 6930 mm | | 2 / 5 ° |
| | 6500 mm | 2800 mm | 2070 mm | 7230 mm | | 2 / 5 ° |
| | 6800 mm | 2900 mm | 2170 mm | 7530 mm | | 2 / 5 ° |
| | 7400 mm | 3100 mm | 2370 mm | 8130 mm | | 2 / 5 ° |
| | 7700 mm | 3200 mm | 2470 mm | 8430 mm | | 2 / 5 ° |
| | 8000 mm | 3300 mm | 2570 mm | 8730 mm | | 2 / 5 ° |
| | 8420 mm | 3440 mm | 2710 mm | 9150 mm | | 2 / 5 ° |
| | 8720 mm | 3540 mm | 2810 mm | 9450 mm | | 2 / 5 ° |
| | 9110 mm | 3670 mm | 2940 mm | 9840 mm | | 2 / 5 ° |
| | 9620 mm | 3840 mm | 3110 mm | 10350 mm | | 2 / 5 ° |
| | 9950 mm | 3950 mm | 3220 mm | 10680 mm | | 2 / 5 ° |
| | 10220 mm | 4100 mm | 3370 mm | 10950 mm | | 2 / 5 ° |
| | 10520 mm | 4200 mm | 3470 mm | 11250 mm | | 2 / 5 ° |
| | 10700 mm | 4260 mm | 3530 mm | 11430 mm | | 2 / 5 ° |
| | 10880 mm | 4320 mm | 3590 mm | 11610 mm | | 2 / 5 ° |
| 11120 mm | 4400 mm | 3670 mm | 11850 mm | | 2 / 5 ° | |
| 11510 mm | 4530 mm | 3800 mm | 12240 mm | | 2 / 5 ° | |
| ETV 318, ETV 320, ETV 325 | Lift (h3) | Retracted mast height (h1) | Free lift (h2) | Extended mast height (h4) | Forward/backward tilt of mast | Forward/backward tilt of fork carriage |
| Mast tilt / Triplex mast DZ / cold-formed | 4250 mm | 2050 mm | 1320 mm | 4980 mm | | 1 / 5 ° |
| | 4700 mm | 2200 mm | 1470 mm | 5430 mm | | 1 / 5 ° |
| | 5000 mm | 2300 mm | 1570 mm | 5730 mm | | 1 / 5 ° |
| | 5300 mm | 2400 mm | 1670 mm | 6030 mm | | 1 / 5 ° |
| | 5600 mm | 2500 mm | 1770 mm | 6330 mm | | 1 / 3 ° |
| | 5900 mm | 2600 mm | 1870 mm | 6630 mm | | 0.5 / 2 ° |
| | 6200 mm | 2700 mm | 1970 mm | 6930 mm | | 0.5 / 2 ° |
| | 6500 mm | 2800 mm | 2070 mm | 7230 mm | | 0.5 / 2 ° |
| | 6800 mm | 2900 mm | 2170 mm | 7530 mm | | 0.5 / 2 ° |
| | 6950 mm | 2950 mm | 2220 mm | 7680 mm | | 0.5 / 1 ° |
| | 7400 mm | 3100 mm | 2370 mm | 8130 mm | | 0.5 / 1 ° |
| | 8000 mm | 3300 mm | 2570 mm | 8730 mm | | 0.5 / 1 ° |
| | 8420 mm | 3440 mm | 2710 mm | 9150 mm | | 0.5 / 1 ° |
| | 8720 mm | 3540 mm | 2810 mm | 9450 mm | | 0.5 / 1 ° |
| | 9110 mm | 3670 mm | 2940 mm | 9840 mm | | 0.5 / 1 ° |
| ETV 320 | Lift (h3) | Retracted mast height (h1) | Free lift (h2) | Extended mast height (h4) | Forward/backward tilt of mast | Forward/backward tilt of fork carriage |
| Fork tilt / Triplex mast DZ / cold-formed | 13505 mm | 5425 mm | 4695 mm | 14235 mm | | 2 / 5 ° |
| | 14000 mm | 5590 mm | 4860 mm | 14730 mm | | 2 / 5 ° |
| ETV 320, ETV 325 | Lift (h3) | Retracted mast height (h1) | Free lift (h2) | Extended mast height (h4) | Forward/backward tilt of mast | Forward/backward tilt of fork carriage |
| Fork tilt / Triplex mast DZ / cold-formed | 12020 mm | 4700 mm | 3970 mm | 12750 mm | | 2 / 5 ° |
| | 12530 mm | 4870 mm | 4140 mm | 13260 mm | | 2 / 5 ° |
| | 12830 mm | 4970 mm | 4240 mm | 13560 mm | | 2 / 5 ° |
| | 13000 mm | 5026 mm | 4296 mm | 13728 mm | | 2 / 5 ° |

VDI table

Stand-on: 11/2021

| Characteristic | Code | Description | Unit | Jungheinrich | | | |
|--------------------------|------------------------------|--|--------------------|--------------------|-----------------|-------------|-------------|
| | | | | ETV 318 | ETV 320 | ETM 325 | ETV 325 |
| Characteristic | 1.1 | Manufacturer (abbreviated description) | | | | | |
| | 1.2 | Manufacturer's type designation | | ETV 318 | ETV 320 | ETM 325 | ETV 325 |
| | 1.3 | Drive | | Electric | | | |
| | 1.4 | Operation | | Sideways-seated | | | |
| | 1.5 | Load capacity/load | Q kg | 1800 | 2000 | 2500 | |
| | 1.6 | Load centre distance | c mm | 600 | | | |
| | 1.8 | Load distance, centre of drive axle to fork | x mm | 364 | 412 | 321 | 487 |
| | 1.8.1 | Load distance, centre of drive axle to fork, mast extended | mm | 205 | 230 | | |
| | 1.9 | Wheelbase | y mm | 1460 | 1518 | 1673 | |
| Weights | 2.1.1 | Service weight (incl. battery) | kg | 3522 | 3650 | 3895 | 3700 |
| | 2.3 | Axle load unladen front/rear | kg | 2074 / 1448 | 2163 / 1487 | 2274 / 1621 | 2264 / 1436 |
| | 2.4 | Axle load fork forward laden front/rear | kg | 446 / 4876 | 558 / 5092 | 366 / 6029 | 602 / 5598 |
| | 2.5 | Axle load fork back laden front/rear | kg | 1805 / 3517 | 1953 / 3397 | 2057 / 4338 | 2032 / 4168 |
| Wheels/suspension system | 3.1 | Tyres | | Polyurethane (PU) | | | |
| | 3.2 | Tyre size, front | | Ø 343 x 114 | | Ø 343 x 140 | |
| | 3.3 | Tyre size, rear | | Ø 285 x 100 | Ø 355 x 106 | Ø 355 x 135 | |
| | 3.5 | Wheels, number front/back (x=driven) | | 1x / 2 | | | |
| | 3.7 | Tread width, rear | b ₁₁ mm | 1136 | 1155 | 1034 | 1184 |
| Basic dimensions | 4.2 | Retracted mast height (h1) | h ₁ mm | 2400 | | | |
| | 4.3 | Free lift (h2) | h ₂ mm | 1670 | | | |
| | 4.4 | Lift (h3) | h ₃ mm | 5300 | | | |
| | 4.5 | Extended mast height (h4) | h ₄ mm | 6030 | | | |
| | 4.7 | Height of overhead guard (cab) | h ₆ mm | 2190 | | | |
| | 4.8 | Seat height/stand height | h ₇ mm | 1057 | | | |
| | 4.10 | Height of support arms | h ₈ mm | 285 | 355 | | |
| | 4.19 | Overall length | l ₁ mm | 2418 | 2459 | 2547 | |
| | 4.19.4 | Length including fork length | l ₁ mm | 2456 | 2466 | 2712 | 2546 |
| | 4.20 | Length including fork shank | l ₂ mm | 1306 | 1316 | 1562 | 1396 |
| | 4.21.1 | Overall width | b ₁ mm | 1270 | 1290 | 1198 | 1348 |
| | 4.21.2 | Overall width | b ₂ mm | 1270 | | 1120 | 1270 |
| | 4.22 | Fork dimensions | s/ e/l mm | 40 x 120 x 1150 | 50 x 140 x 1150 | | |
| | 4.23 | Fork carriage connection class | | 2B | | | |
| | 4.24 | Fork carriage width | b ₃ mm | 830 | | | |
| | 4.25 | Width across forks | b ₅ mm | 335 | 356 | | |
| | 4.25.1 | Width across forks (min./max.) | b ₅ mm | 335 / 730 | 356 / 750 | 356 / 580 | 356 / 750 |
| | 4.26 | Width between support arms/loading areas | b ₄ mm | 940 | | 790 | 940 |
| | 4.28 | Reach distance | mm | 569 | 624 | 551 | 736 |
| | 4.32 | Ground clearance centre of wheelbase | m ₂ mm | 80 | 95 | | |
| | 4.34 | Aisle width (pallet 1000x1200 sideways) | Ast mm | 2737 | 2750 | 2971 | 2854 |
| | 4.34.1 | Aisle width (pallet 800x1200 length) | Ast mm | 2790 | 2794 | 3031 | 2883 |
| | 4.35 | Turning radius | W _a mm | 1663 | 1710 | 1865 | |
| 4.37 | Length over the support arms | L ₇ mm | 1842 | 1920 | 2075 | | |

| | | | | | | | | |
|------------------|---------------------|--|---|---------------------------|---------------------|---------------------|-------------|--|
| Performance data | 5.1 | Travel speed laden/unladen (Efficiency drivePLUS) | km/h | 11 / 11 14 / 14 | | 0 / 0 14 / 14 | | |
| | 5.2 | Lift speed laden/unladen (Efficiency liftPLUS) | m/s | 0.32 / 0.64 0.38 / 0.64 | | 0 / 0 0.35 / 0.64 | | |
| | 5.3 | Lowering speed laden/unladen (Efficiency liftPLUS) | m/s | 0.55 / 0.55 0.55 / 0.55 | | 0 / 0 0.55 / 0.55 | | |
| | 5.4 | Reach speed laden/unladen (Efficiency liftPLUS) | m/s | 0.18 / 0.18 0.2 / 0.2 | | 0 / 0 0.2 / 0.2 | | |
| | 5.7 | Gradeability laden/unladen (Efficiency drivePLUS) | % | 7 / 11 7 / 11 | | 0 / 0 7 / 11 | | |
| | 5.8 | Max. gradeability laden/unladen (Efficiency drivePLUS) | % | 9 / 13 9 / 13 | 10 / 15 10 / 15 | 0 / 0 10 / 15 | | |
| | 5.9 | Acceleration time laden/unladen (Efficiency drivePLUS) | s | 5.4 / 5 5.2 / 4.7 | 5.6 / 5 5.3 / 4.7 | 0 / 0 5.4 / 4.7 | | |
| | 5.10 | Service brake | | electric | | | | |
| | E-motor/Electronics | 6.1 | Drive motor, performance S2 60 min (Efficiency drivePLUS) | kW | 6 8.5 | | 0 8.5 | |
| | | 6.2 | Lift motor, performance with S3 (Efficiency liftPLUS) | kW | 13.3 15.5 | | 0 15.5 | |
| 6.3 | | Battery according to DIN 43531/35/36 | | DIN 43531 C | | DIN 43531 B | DIN 43531 C | |
| 6.4 | | Battery voltage/nominal capacity | V / Ah | 48 / 620 | | 48 / 775 | 48 / 620 | |
| 6.5 | | Battery weight | kg | 1005 | | 1210 | 1005 | |
| 6.6.1 | | Energy consumption according to EN cycle (Efficiency PLUS) | kWh/h | 3.77 3.73 | 3.89 4.57 | 0 4.57 | | |
| 6.6.2 | | CO2 equivalent as per EN 16796 (Efficiency PLUS) | kg/h | 2.1 2 | 2.1 2.5 | - | | |
| 6.7 | | Throughput (Efficiency PLUS) | t/h | 60.85 73.39 | 67.48 76.51 | - | 0 95.14 | |
| 6.8.1 | | Energy consumption with max. throughput (Efficiency PLUS) | kWh/h | 3.25 4.66 | 3.54 4.64 | 0 4.57 | | |
| Other | 8.1 | Type of drive control | | Mosfet/AC | | | | |
| | 10.1 | Operating pressure for attachment | bar | 150 | | | | |
| | 10.2 | Oil flow for attachments | l/min | 20 | | | | |
| | 10.7 | Sound level as per EN12053, operator's ear | dB (A) | 68 | | | | |

- This data sheet according to VDI guideline 2198 only states the technical values of the standard truck. Different tyres, other masts, additional equipment etc. may result in different values.

Efficiency: Werte Standardpaket | PLUS: Werte Leistungspaket

- VDI no. 1.8: the battery size and the mast type influence the load distance, centre of drive axle to fork x
- VDI no. 2.1.1: the battery size and the mast version influence the service weight and the axle loads
- VDI no. 2.3: the battery size and the mast version influence the service weight and the axle loads
- VDI no. 2.4: the battery size and the mast version influence the service weight and the axle loads
- VDI no. 2.5: the battery size and the mast version influence the service weight and the axle loads
- VDI no. 4.1: the mast version determines the tilt values
- VDI no. 4.10: the height of the support arms is enlarged by 30 mm with a load support arm cover
- VDI no. 4.19: the battery size, the mast type and the fork length influence the overall length l1
- VDI no. 4.20: the battery size and the mast type influence the length including fork shank l2
- VDI no. 4.28: the battery size and the mast type influence the reach distance l4
- VDI no. 4.34.1: the battery size and the mast type influence the aisle widths
- VDI no. 4.34.2: the battery size and the mast type influence the aisle widths
- VDI no. 6.6.1: PLUS refers to the drive&liftPLUS performance package
- VDI no. 6.6.2: PLUS refers to the drive&liftPLUS performance package
- VDI no. 6.7: PLUS refers to the drive&liftPLUS performance package
- VDI no. 6.8.1: PLUS refers to the drive&liftPLUS performance package

The German production facilities in
Norderstedt, Moosburg and Landsberg
are certified.

ISO 9001
ISO 14001

Jungheinrich fork lift trucks meet
European safety requirements.



 **JUNGHEINRICH**