



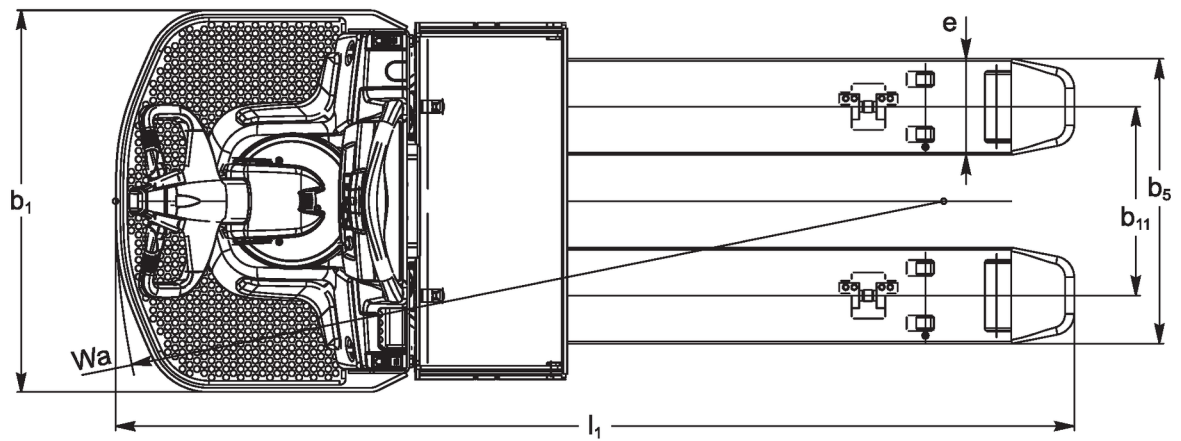
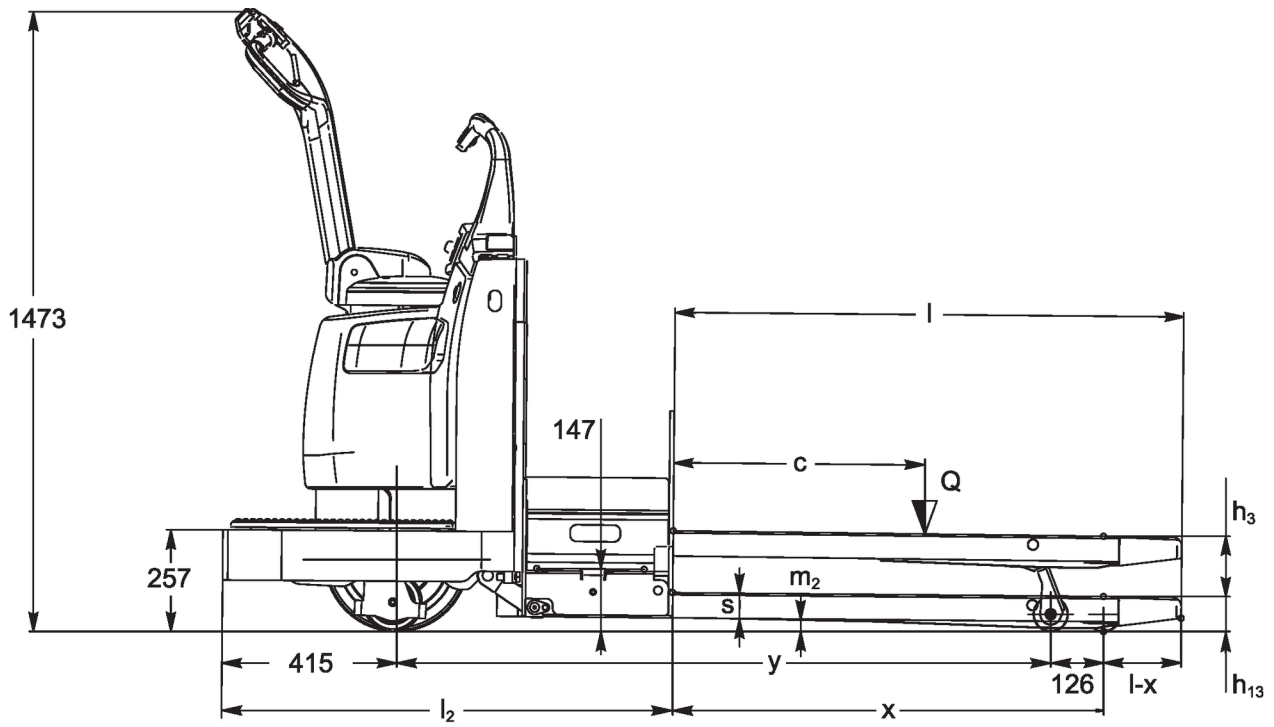
# Electric pedestrian pallet truck, End Rider

**ECR 327 / 336**

Lift height: 137 mm / Load capacity: 2700-3600 kg

**JUNGHEINRICH**

# ECR 327 / 336



Technical drawing ECR 327/336

# VDI table

Stand-on: 11/2021

Characteristic	Item	Description	Unit	Jungheinrich		
				ECR 327	ECR 336	
Characteristic	1.1	Manufacturer (abbreviated description)		Jungheinrich		
	1.2	Manufacturer's type designation				
	1.3	Drive		Electric		
	1.5	Load capacity/load	Q	kg	2700	3600
	1.6	Load centre distance	c	mm	600	1200
	1.8	Load distance, centre of drive axle to fork	x	mm	1024	1532
	1.9	Wheelbase	y	mm	1560	2068
Weights	2.1.1	Service weight (incl. battery)		kg	1240	1375
	2.2	Axle load laden front/rear		kg	1420 / 2520	1300 / 3675
	2.3	Axle load unladen front/rear		kg	918 / 322	960 / 415
Wheels/suspension system	3.1	Tyres		Polyurethane (PU)		
	3.2	Tyre size, front		Ø 305 x 127		
	3.3	Tyre size, rear		Ø 83 x 160		
	3.4	Additional wheels		Ø 101 x 63		
	3.5	Wheels, number front/back (x=driven)		1x+2 / 2 or 4		
	3.7	Tread width, rear	b <sub>11</sub>	mm	450	
Basic dimensions	4.4	Lift (h3)	h <sub>3</sub>	mm	137	
	4.15	Height, lowered	h <sub>13</sub>	mm	85	
	4.19	Overall length	l <sub>1</sub>	mm	2286	3505
	4.20	Length including fork shank	l <sub>2</sub>	mm	1074	
	4.21.1	Overall width	b <sub>1</sub>	mm	910	
	4.22	Fork dimensions	s/e/l	mm	60 x 229 x 1212	60 x 249 x 2431
	4.25	Width across forks	b <sub>5</sub>	mm	679	698
	4.32	Ground clearance centre of wheelbase	m <sub>2</sub>	mm	25	27
4.35	Turning radius	W <sub>a</sub>	mm	1981	2487	
Performance data	5.1	Travel speed laden/unladen		km/h	11 / 15	10 / 15
	5.2	Lift speed laden/unladen		m/s	0.04 / 0.05	
	5.8	Max. gradeability laden/unladen		%	13 / 25	10 / 25
	5.10	Service brake			regenerative	
	5.11	Parking brake			electromagnetic	
E-motor/ Electronics	6.1	Drive motor, performance S2 60 min		kW	3.2	
	6.2	Lift motor, performance with S3		kW	1.5	
	6.4	Battery voltage/nominal capacity		V / Ah	24 / 620	
	6.5	Battery weight		kg	457	
Other	8.1	Type of drive control			AC	

- This data sheet according to VDI guideline 2198 only states the technical values of the standard truck. Different tyres, other masts, additional equipment etc. may result in different values.

The German production facilities in  
Norderstedt, Moosburg and Landsberg  
are certified.

ISO 9001  
ISO 14001

 **JUNGHEINRICH**