

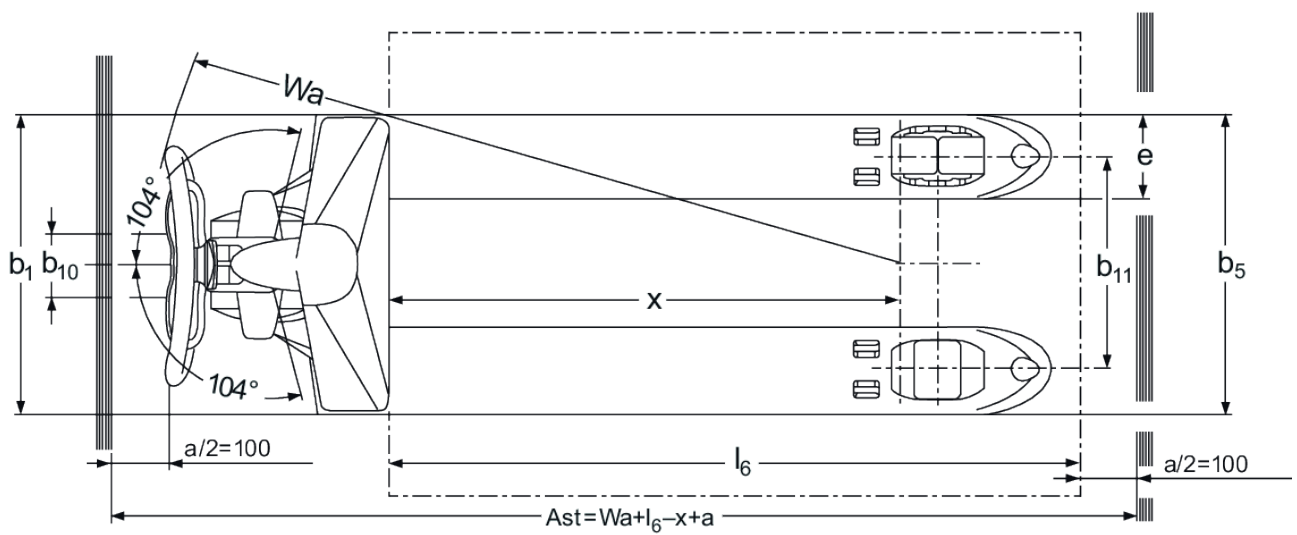
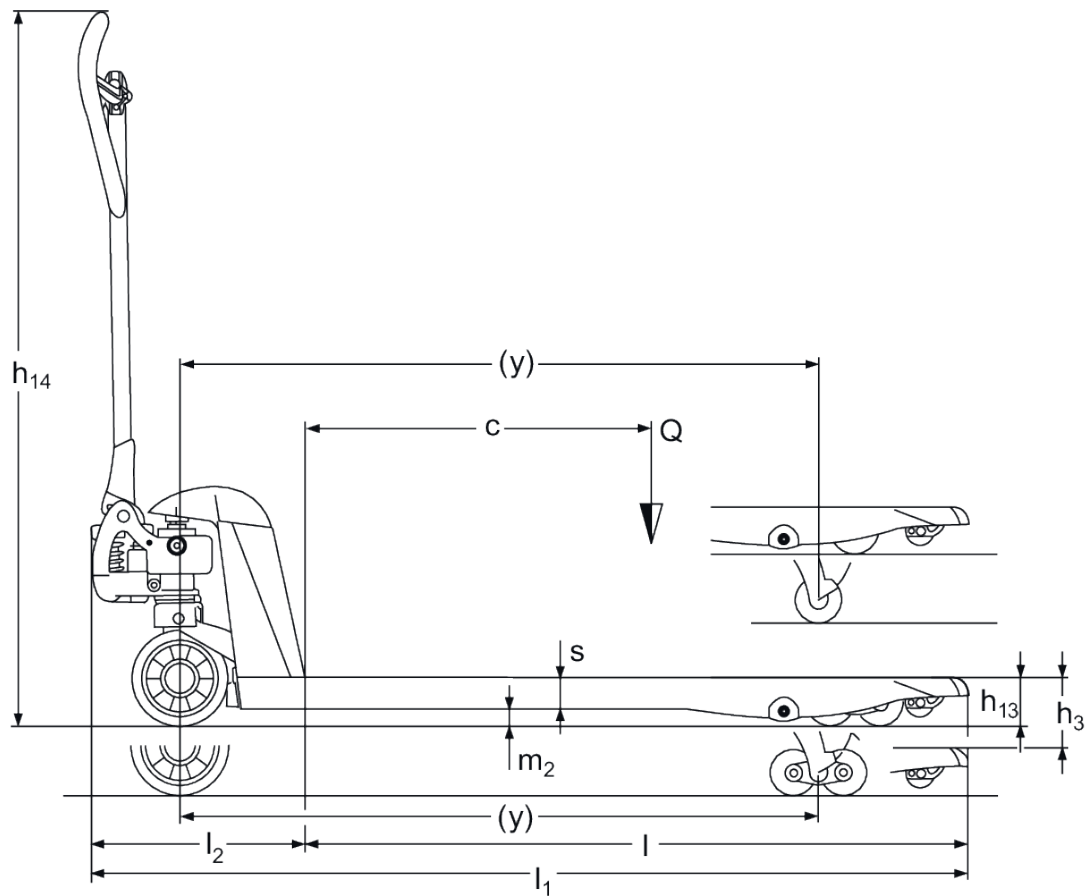


Hand pallet truck galvanised **AM G20**

Lift height: 122 mm / Load capacity: 2000 kg

JUNGHEINRICH

AM G20



VDI table

Stand-on: 11/2021

Characteristic	1.1	Manufacturer (abbreviated description)	Jungheinrich																			
	1.2	Manufacturer's type designation	AM G20																			
	1.3	Drive	Manual																			
	1.4	Operation	Manual																			
	1.5	Load capacity/load	Q	kg																		
	1.6	Load centre distance	c	600			500	600	400		500	400	500	600								
	1.9	Wheelbase	y	mm	1110	-	1110	910	-	755	-											
Weights	2.1	Service weight	kg	61	-	60	54	63	51	52	56	57	59	63								
	2.3	Axle load unladen front/rear	kg	38 / 20	-	38 / 20	-															
Wheels/suspension system	3.1	Tyres		N-GN	N-BN	V-BV	N-GN			N-BN	V-BV	N-BN	V-BV	N-GN	N-BN	V-BV	N-GN	N-BN	V-BV	N-GN	N-BN	V-BV
	3.2	Tyre size, front		∅ 170x50	-	∅ 170 x 50	∅ 170x50	-	∅ 170x50	-												
	3.3	Tyre size, rear		∅ 82x96	-	∅ 82 x 62	∅ 82x96	-	∅ 82x96	-												
	3.5	Wheels, number front/back (x=driven)		2/2	-	2/2	-	2/2	-													
	3.6	Tread width, front	b ₁₀	mm	109	-	109	-	109	-												
	3.7	Tread width, rear	b ₁₁	mm	370	-	370	-	370	-												
	Basic dimensions	4.4	Lift (h ₃)	h ₃	mm																	
4.14		Stand height, elevated	h ₁₂	mm																		
4.15		Height, lowered	h ₁₃	mm																		
4.19		Overall length	l ₁	mm																		
4.20		Length including fork shank	l ₂	mm																		
4.21.1		Overall width	b ₁	mm																		
4.22		Fork dimensions	s/e/l	mm																		
4.25		Width across forks	b ₅	mm																		
4.32		Ground clearance centre of wheelbase	m ₂	mm																		
4.34		Aisle width (pallet 1000x1200 sideways)	Ast	mm																		
4.34.1		Aisle width (pallet 800x1200 length)	Ast	mm																		

	4.35	Turning radius	W _a mm	1274	-	1274	1074	-	919	-
Performance data	5.3	Lowering speed laden/unladen	m/s	0.09 / 0.02	-	0.09 / 0.02	-	0.09 / 0.02	-	-
<p>- This data sheet according to VDI guideline 2198 only states the technical values of the standard truck. Different tyres, other masts, additional equipment etc. may result in different values.</p>										

The German production facilities in
Norderstedt, Moosburg and Landsberg
are certified.

ISO 9001
ISO 14001

Jungheinrich fork lift trucks meet
European safety requirements.



 **JUNGHEINRICH**